

NINJA®

ULTRA PREP

PS100UK

Series

INSTRUCTIONS



ninjakitchen.eu

THANK YOU

for purchasing the Ninja® Ultra Prep™



REGISTER YOUR PURCHASE

 registeryourninja.com

 Scan QR code using mobile device

RECORD THIS INFORMATION

Model Number: _____

Serial Number: _____

Date of Purchase: _____
(Keep receipt)

Store of Purchase: _____

THIS BOOK COVERS MODEL NUMBER:

PS100UK
PS100UKCO
PS100UKQ

TECHNICAL SPECIFICATIONS

Voltage: 220-240V~, 50-60Hz

Watts: 700W

Jug Capacity: 1.4L

**PLEASE READ CAREFULLY AND
KEEP FOR FUTURE REFERENCE.**

TIP: You can find the model and serial numbers on the QR code located on the back of the power pod.

CONTENTS

Product registration	1
Important safeguards	2
Getting started	4
Before first use	6
Assembling & using the jug	7
Using the 600ml cup & high-speed blade	8
Care & maintenance	10
Cleaning	10
Using the power pod cleaning brush.....	10
Storing	10
Resetting the motor thermostat	10
Troubleshooting guide	11
Ordering replacement parts	11
Helpful tips	12

PRODUCT REGISTRATION

Please visit registeryourninja.com or call 0800 862 0453 to register your new Ninja® product within 28 days of purchase. You will be asked to provide the store name, date of purchase, and model number along with your name and address.

The registration will enable us to contact you in the unlikely event of a product safety notification. By registering, you acknowledge you have read and understood the instructions for use and warnings set forth in the accompanying instructions.

IMPORTANT SAFEGUARDS

HOUSEHOLD USE ONLY

Read all instructions before using your NINJA® ULTRA PREP™.

When using electrical appliances, basic safety precautions should always be followed, including the following:

⚠ WARNING

To reduce the risk of fire, electric shock, serious injury, death, or damage when using this appliance, follow these basic safety precautions.

General Precautions

- 1 DO NOT** try to place the blade onto the power pod and then into the Jug. **ALWAYS** assemble the blade inside the jug.
- Remove utensils prior to processing. Failure to remove may cause the jug to be damaged or to shatter which may cause personal injury.
- The blades are sharp, not locked in place and removable. Handle with care. When handling the blades, always hold them by the shaft. Failure to do so will result in a risk of injury.
- Make sure to carefully remove the spout lid and blade assembly, holding it by the shaft, before emptying contents of the jug. Failure to do so will result in a risk of injury.
- DO NOT** place ingredients into the jug without first installing the blade assembly.
- DO NOT** operate the appliance without the spout lid in place.
- DO NOT** blend hot liquids, as doing so may cause excessive pressure build-up, resulting in a risk of the user being burned.
- To protect against the risk of an electrical shock **DO NOT** put the appliance in water or other liquid. **DO NOT** allow the power cord to contact any form of liquid.
- This appliance shall not be intended for use by children or by persons with reduced physical, sensory, or mental capabilities, or lack of experience and knowledge. Close supervision is necessary when any appliance is used near children. Children should be supervised to ensure that they do not play with the appliance. Keep the appliance and its cord out of reach of children.
- NEVER** leave an appliance unattended when in use.
- Appliance accessories are not intended to be used in the microwave, as it may result in damage to the accessories.
- Remove the power pod from the appliance and unplug the power cord from the socket when not in use, before assembling or disassembling parts and before cleaning. To unplug, hold the plug and pull from the socket. **NEVER** pull from the power cord.
- DO NOT** abuse the power cord. **NEVER** carry the power pod by the power cord or yank it to disconnect from socket; instead hold the plug and pull to disconnect.
- DO NOT** operate any appliance with a damaged cord or plug or after the appliance malfunctions or has been dropped or damaged in any manner. This appliance has no serviceable parts. Return the appliance to Euro-Pro Europe Limited for examination, repair or adjustment.

READ ALL INSTRUCTIONS BEFORE USE

- This appliance has important markings on the plug blade. The entire supply cord is not suitable for replacement. If damaged, please contact SharkNinja for service.
- DO NOT** let the power cord hang over the edges of tables or worktops or touch hot surfaces such as the hob.
- ALWAYS** use appliance on a clean, dry, level surface.
- Keep hands, hair, clothing and utensils out of container while in use to reduce the risk of severe injury to persons or damage to the appliance. A scraper may be used, but only when the appliance is not running.
- Avoid contact with moving parts.
- DO NOT** attempt to sharpen blades.
- DO NOT** use the appliance if blades are bent or damaged.
- DO NOT** expose jug to extreme temperature changes.
- DO NOT** use jug if cracked or chipped.
- DO NOT** operate the appliance on or near any hot surfaces (such as on a gas or electric burner or in a heated oven).
- DO NOT** try to place the 600ml high-speed blade onto the power pod and then into the 600ml cup. **ALWAYS** assemble the high-speed blade inside the cup.
- The use of attachments not recommended or sold by the manufacturer may cause fire, electric shock or injury.
- DO NOT** remove the power pod before the blades have stopped turning.
- DO NOT** overfill.
- DO NOT** operate the appliance empty.
- DO NOT** try to defeat the interlock mechanism. Make sure the blades are properly installed before operating the appliance.
- Immediately release the power pod control button on the power pod if the appliance malfunctions during use.
- DO NOT** operate the appliance for more than 60 seconds.
- If the appliance overheats, a thermal switch will activate and shut off the motor. To reset, unplug the appliance and let it cool down for approximately 15 minutes before using again.
- This product is intended for household use only. **DO NOT** use this appliance for anything other than its intended use. **DO NOT** use outdoors.

SAVE THESE INSTRUCTIONS

GETTING STARTED

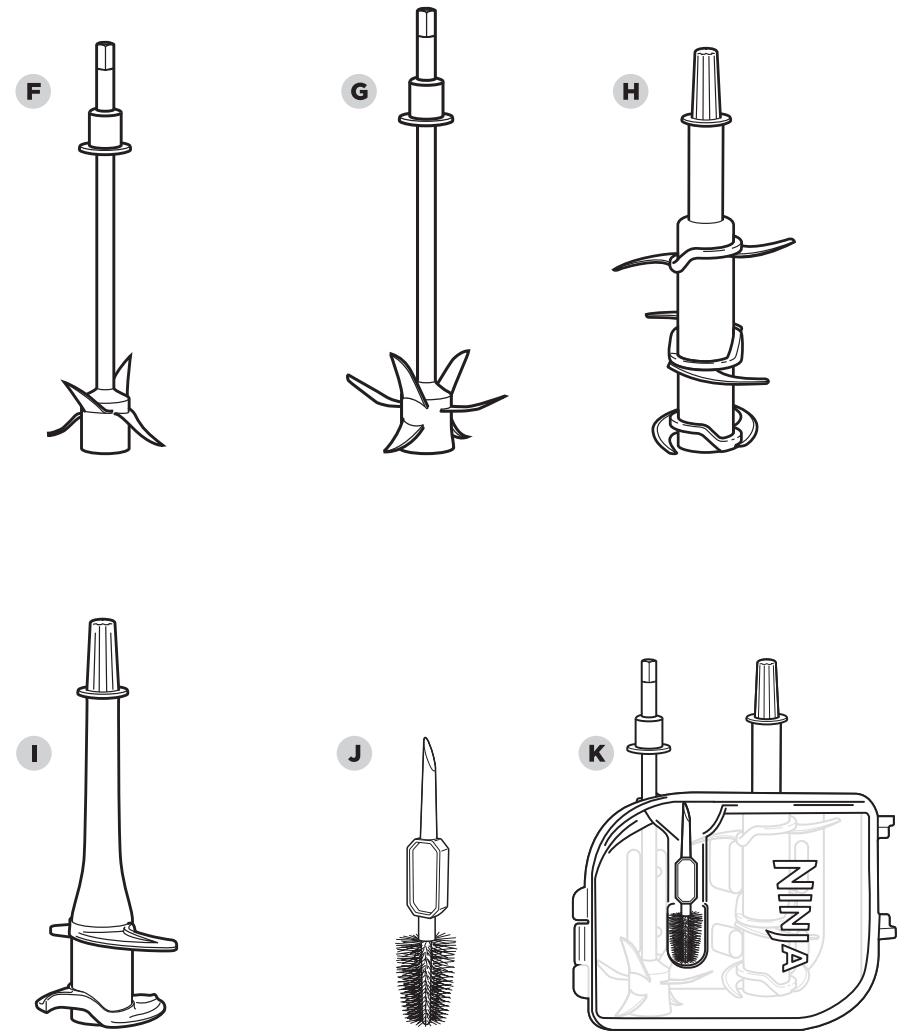
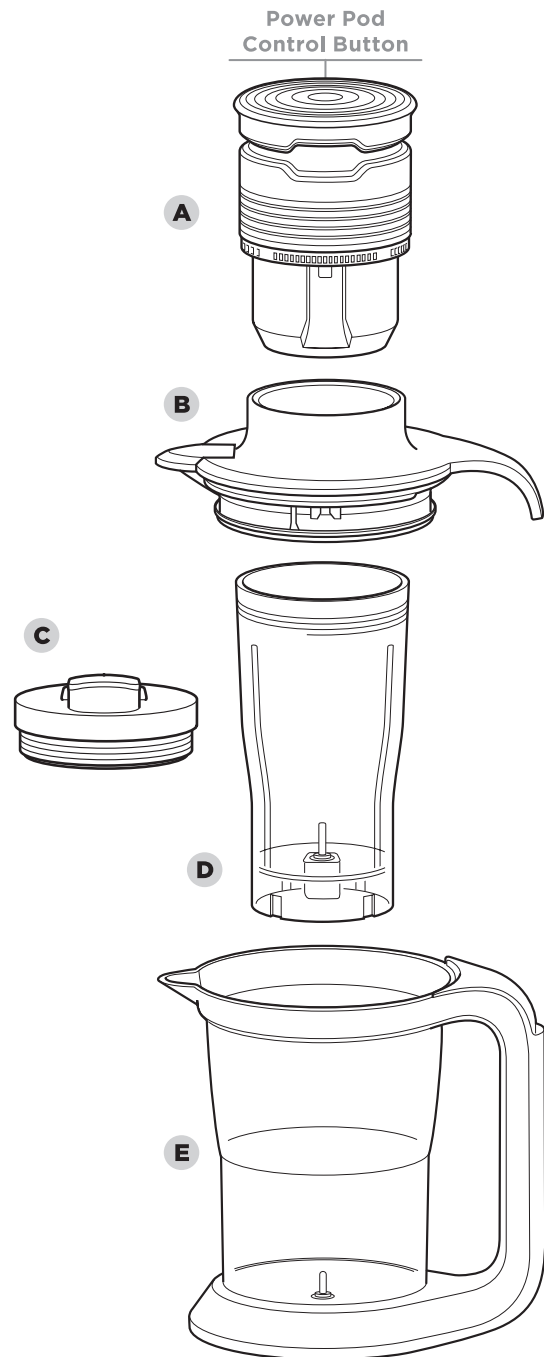
WELCOME

Congratulations on your purchase. Use the instructions to learn about the great features of your Ninja® Ultra Prep™. From assembly to use to maintenance, you will find it all in here.

PARTS

- A** Power Pod (power cord not shown)
- B** 1.4L Splash Guard lid
- C** 600ml cup Spout Lid
- D** 600ml cup
- E** 1.4L Jug with Non-Slip Base
- F** 600ml high-speed blade
- G** 1.4L high-speed blade
- H** 1.4L Total Crushing® & Power Chopping Blade
- I** 1.4L Dough Blade
- J** Power Pod Cleaning Brush
- K** Storage Box for 1.4L Total Crushing® & Power Chopping Blade, 1.4L high-speed blade and Power Pod Cleaning Brush

NOTE: The top flap of your box shows the select accessories that are included with your model.

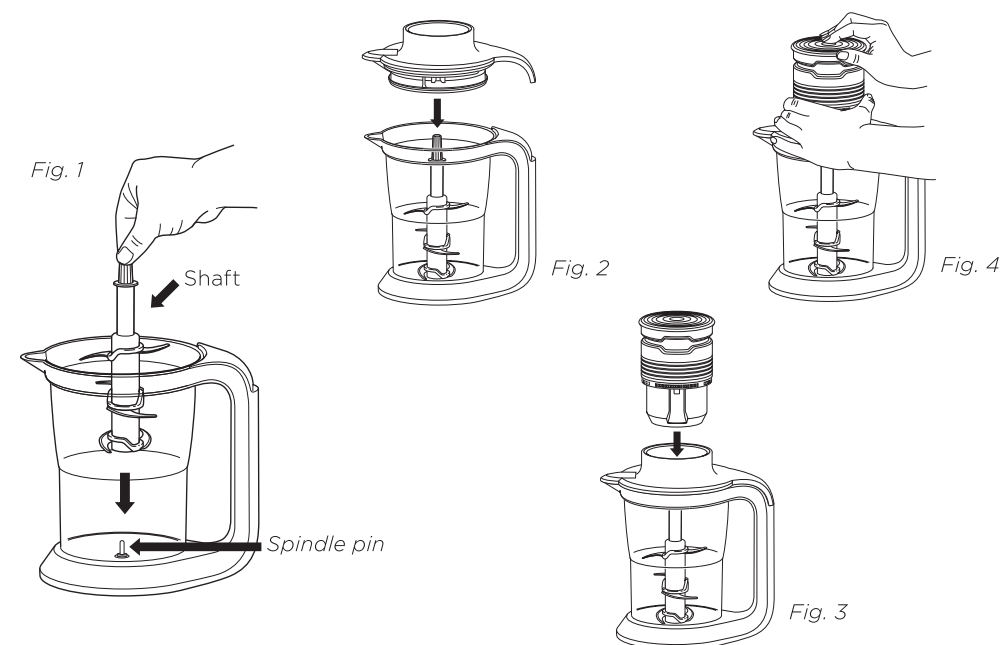


BEFORE FIRST USE

NOTE: Be careful not to over-process. Use repeated short pulses until your desired consistency is reached.

- 1 Remove all packaging material and labels from the appliance. Separate all parts.
- 2 Wash the jug, splash guard lid and blades in warm, soapy water. When washing the blades, use a dishwashing utensil with a handle to avoid direct hand contact with blades.
- 3 Handle the blades with care to avoid contact with sharp edges. Rinse and air-dry thoroughly.
- 4 The jug, splash guard lid and blades are all dishwasher safe. It is recommended that the jug, splash guard lid and blades be placed on the top rack. Ensure blades are removed from the jug before placing in the dishwasher.
- 5 Wipe the power pod clean with a damp cloth.

ASSEMBLING & USING THE JUG



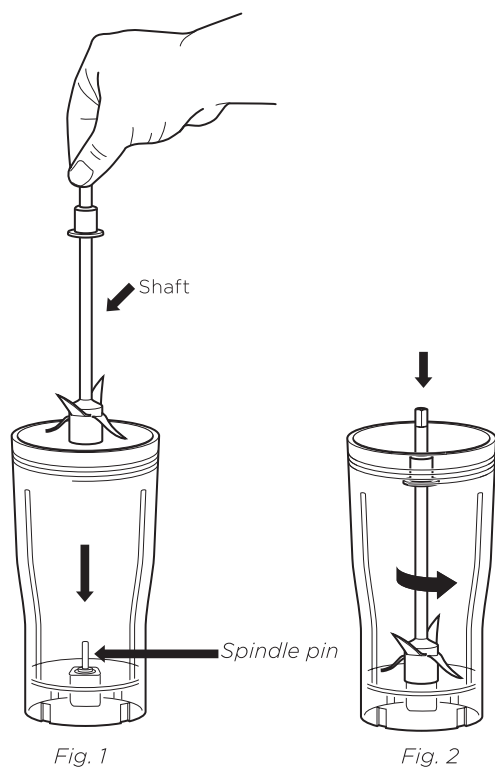
- 1 Review important safeguards on pages 2-3 before proceeding to step 2.
- 2 Place the jug on a clean, dry, level surface.
- 3 Holding the blade by the shaft, carefully lower it onto the spindle pin inside the jug (**Fig. 1**).
- 4 Add the ingredients to be processed into the jug.
- 5 Place splash guard lid on the jug (**Fig. 2**).
- 6 Place the power pod on top of the splash guard lid, making sure it is securely in place (**Fig. 3**).
- 7 To start the appliance, plug the power cord into a socket, securely hold the power pod and press the power pod control button located on the top of the power pod. Continue to hold jug and power pod firmly while operating (**Fig. 4**).
- 8 To stop the appliance, stop pressing the power pod control button.
- 9 Make sure the blade has stopped completely before removing the power pod.
- 10 If ingredients stick to the sides of the jug, stop the appliance, remove the power pod and splash guard lid, then use a spatula to scrape ingredients down toward the blades.
- 11 To remove ingredients with a thinner consistency, pour them through the spout on the splash guard lid. To remove contents with thicker consistencies, first take off the splash guard lid. Carefully remove the blade and set it aside before emptying contents from jug.

USING THE 600ML CUP & HIGH-SPEED BLADE

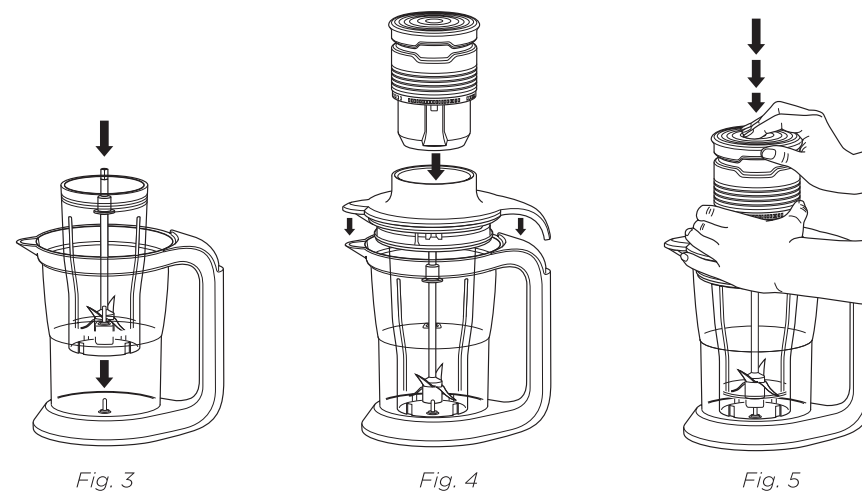
NOTE: Read all Important Safeguards on page 2-3 before using your Ninja® Ultra Prep™.

NOTE: DO NOT exceed max fill, as this will strain the motor and may cause overflow.

NOTE: Be careful not to over-process. Use repeated short pulses until your desired consistency is reached.



- 1 Place the 600ml cup on a clean, dry, level surface.
- 2 Holding the 600ml high-speed blade by the shaft, carefully lower it into the 600ml cup (**Fig. 1**).
- 3 Position the high-speed blade on the spindle pin, and turn the blade until it drops into place (**Fig. 2**).



- 4 Lower cup into the 1.4L Jug.
- 5 Add the ingredients to be processed to the cup.
- 6 Place the 1.4L splash guard lid on the bowl. (**Fig. 3**).
- 7 Place the power pod on top of the splash guard lid, making sure it is securely in place (**Fig. 4**).
- 8 To start the appliance, plug the power cord into a socket, securely hold power and press the On/Off pulse button located on the top of the power pod. Continue to hold cup and power pod firmly while operating (**Fig. 5**).
- 9 To stop the appliance, stop pressing the On/Off pulse button.
- 10 Make sure the high-speed blade has stopped completely before removing the power pod.
- 11 If ingredients stick to the sides of the cup, stop the appliance, remove the power pod and splash guard lid, then use a spatula to scrape the ingredients down toward the blades.
- 12 The high-speed blade is loose and not locked in place. Remove the high-speed blade by its shaft before you empty the contents of the cup.

CARE & MAINTENANCE

CLEANING

- 1 Separate all parts.
- 2 **Hand-Washing:** Wash the jug, splash guard lid and blades in warm, soapy water. When washing the blades, use a dishwashing utensil with a handle to avoid direct hand contact with blades. Handle the blades with care to avoid contact with sharp edges. Rinse and air-dry thoroughly.

Dishwasher: The jug, splash guard lid and blades are all dishwasher safe. It is recommended that the blades be placed on the top rack. Ensure the blades are removed from the jug before placing in the dishwasher.

- 3 Wipe the power pod clean with a damp cloth.

USING THE POWER POD CLEANING BRUSH

- 1 Use the bristled end of the power pod cleaning brush to gently remove any debris from the base of the power pod.
- 2 Carefully use the pointed end of the power pod cleaning brush to remove stuck-on debris.
- 3 Gently rinse the power pod cleaning brush after use and let air-dry.

NOTE: do not use the power pod cleaning brush to clean any part of the Ninja® Ultra Prep™, except for the base of the power pod.

STORING

- 1 Store the unit upright with the Total Crushing® & Power Chopping Blade inside the jug. Place the splash guard lid on top of the jug and the power pod on top of the splash guard lid. Store the high-speed blade inside the storage box and the dough blade in a drawer.

RESETTING THE MOTOR THERMOSTAT

The unit features a unique safety system that prevents damage to the unit's motor and drive system should you inadvertently overload it. If the appliance is overloaded, the motor will stop. To reset the appliance, follow the resetting procedure below:

- 1 Unplug the appliance from the socket.
- 2 Remove the power pod and splash guard lid and empty the container to ensure no ingredients are jamming the blade assembly.
- 3 Allow the appliance to cool for approximately 15 minutes.
- 4 Replace the splash guard lid and power pod and plug the appliance into the socket.
- 5 Proceed to use the appliance as before, making sure not to exceed the recommended maximum capacities.

TROUBLESHOOTING GUIDE

ISSUE	POSSIBLE REASONS & SOLUTIONS
Motor does not start or blade assembly does not rotate.	<p>Check that the bottom of power pod is clean and no ingredients are blocking connection when attaching the splash guard lid.</p> <p>There are too many ingredients in the jug.</p> <p>The unit has overheated or overloaded. Unplug and wait approximately 15 minutes before using again.</p> <p>Make sure the splash guard lid is securely attached to jug.</p> <p>Make sure the power pod is securely seated on splash guard lid.</p> <p>Check that the plug is securely inserted into the socket.</p> <p>Check fuse or breaker in your home. Replace fuse/reset breaker.</p>
Ingredients are unevenly chopped.	<p>Either you are chopping too many ingredients at one time, or the pieces are not small enough. Try cutting the ingredients into smaller pieces of even size and processing smaller amounts per batch.</p>
Ingredients are chopped too fine or are too watery.	<p>The ingredients have been over-processed. Use brief pulses or process for a shorter time. Let blade assembly stop completely between pulses.</p>
Ingredients collect on splash guard lid or on the sides of the jug.	<p>You may be processing too many ingredients. Turn the unit off. When the blade assembly comes to a complete stop, take off the power pod and splash guard lid and remove some of the ingredients.</p>
You cannot create snow from solid ice.	<p>Do not use ice that has been sitting out or has started to melt. Use ice straight from the freezer. Start by using short pulses to break up large pieces, then continue processing until snow is achieved.</p>

ORDERING REPLACEMENT PARTS

To order additional parts and attachments, visit ninjakitchen.eu or contact Customer Service at **0800 862 0453**.



This appliance complies with the WEEE-Directive 2012/19/EU on the disposal of electrical and electronic equipment (WEEE).

This marking indicates this product should not be disposed of with other household wastes throughout the EU. To prevent possible harm to the environment or human health from uncontrolled waste disposal, recycle it responsibly to promote the sustainable reuse of material sources. To return your used device, please use the return and collection systems or contact the retailer where this product was purchased. They can take this product for environmentally safe recycling. This appliance complied with the European directives for electromagnetic, compatibility (EMC) 2014/30/EU and its revisions, as well as Low Voltage Directive (LVD) 2014/35/EU and its revisions.



Euro-Pro Europe Limited
Century Way
Thorpe Park, Leeds
LS15 8ZB, UK
0800 862 0453
ninjakitchen.eu



Illustrations may differ from actual product. We are constantly striving to improve our products, therefore the specifications contained herein are subject to change without notice.

© 2018 SharkNinja Operating LLC.
NINJA and TOTAL CRUSHING are registered trademarks of SharkNinja Operating LLC.
ULTRA-PREP is a trademark of SharkNinja Operating LLC.

PS100UK_IB_MP_250220_New address

PRINTED IN CHINA

