

NINJA®

QB1001UKBK

OWNER'S GUIDE

Master Prep® Professional



IMPORTANT SAFETY INSTRUCTIONS

For Household Use Only

WHEN USING ELECTRICAL APPLIANCES, BASIC SAFETY PRECAUTIONS SHOULD ALWAYS BE FOLLOWED, INCLUDING THE FOLLOWING:

READ ALL INSTRUCTIONS BEFORE USING YOUR NINJA® MASTER PREP® PROFESSIONAL.

⚠ WARNING: Extension cords are not recommended for use with this product.

⚠ CAUTION: In order to avoid a hazard due to inadvertent resetting of the thermal cut-out, this appliance must not be supplied through an external switching device, such as a timer, or connected to a circuit that is regularly switched on and off by the utility.

IMPORTANT: This appliance is not intended for use by persons with reduced physical, sensory or mental capabilities, or lack of experience and knowledge, unless they have been given supervision or instruction concerning use of the appliance by a person responsible for their safety.

Children shall not use or play with this appliance. Close supervision is necessary to keep appliance and cord out of reach of children during use.

⚠ WARNING: TO REDUCE THE RISK OF FIRE, ELECTRIC SHOCK OR INJURY:

- 1 **⚠ WARNING:** Remove utensils prior to processing. Failure to remove may cause the jar to be damaged or to shatter which may cause personal injury.
- 2 **⚠ WARNING:** Blade assemblies are sharp, not locked in place and removable, handle with care. When handling the blade assemblies, always hold by the shaft. Failure to do so will result in a risk of laceration.
- 3 **⚠ WARNING:** The Ninja® 4-Blade Assembly & Ninja 6-Blade Assembly are sharp and not locked in place. When pouring, carefully remove the Blade Assembly first, holding it by the shaft. Failure to do so will result in a risk of laceration.
- 4 **⚠ WARNING:** The Ninja 6-Blade Assembly and Ninja 4-Blade Assembly are sharp and not locked in place. Make sure to carefully remove the splashguard or storage lid and Blade Assembly, holding it by the shaft. Replace the splashguard before emptying contents of the blender jar. Failure to do so will result in a risk of laceration.
- 5 **⚠ WARNING:** The Chopping Blade Assembly is sharp and not locked in place. When pouring, carefully remove the Blade Assembly first, holding it by the shaft. Failure to do so will result in a risk of laceration.
- 6 **⚠ CAUTION:** Do not blend hot liquids, doing so may cause excessive pressure build-up, resulting in risk of the user being burned.
- 7 To protect against electric shock, **DO NOT** immerse cord, plug or any part of the main unit in water or any other liquids.



- 8 DO NOT** let the cord hang over the edge of the table or counter, or touch hot surfaces.
- 9 DO NOT** allow the appliance to be used by children. Close attention is necessary when used near children. This is not a toy.
- 10 DO NOT** use with damaged cord or plug.
- 11 DO NOT USE** if the appliance is not working, has been dropped, dropped into water, damaged or left outdoors.
- 12 NO SERVICEABLE PARTS.** Incorrect reassembly or repair can cause a risk of electrical shock or injury to persons when the appliance is used. Contact Customer Service or Service Center for the repair or replacement under the warranty agreement.
- 13** If the supply cord is damaged, it must be replaced by the manufacturer, its service agent or similarly qualified persons in order to avoid hazard.
- 14** Unplug appliance from outlet when not in use and before cleaning.
- 15** Turn the appliance off and remove the power cord from the electrical outlet when not in use, before assembling or disassembling parts, accessing parts that move while in use and before cleaning. To unplug, grasp the plug and pull from the electrical outlet. Never pull from the power cord.
- 16 DO NOT** place on or near a hot gas or electric burner.
- 17 DO NOT** operate the appliance for more than 15 seconds.
- 18 DO NOT** operate the appliance empty.
- 19** Use this appliance on a stable work surface away from water.
- 20 DO NOT** remove the motor head before the blade assembly has stopped turning.
- 21 DO NOT** attempt to sharpen blades.
- 22 DO NOT** expose the blender jug or chopping bowl to extreme temperature changes.
- 23 DO NOT** use the blender jug or chopping if they are cracked or chipped.
- 24 DO NOT** use the appliance if blades are bent or damaged.
- 25** Avoid contact with moving parts at all times. Keep hands, hair, clothing as well as spatulas and other utensils away from the blender jug or chopping bowl during operation to prevent risk of personal injury and/or damage to the appliance.
- 26** Immediately release the pulse button on the motor head in the event that the appliance malfunctions during use.
- 27** To reduce the risk of injury, **NEVER** operate the appliance without the splash guard in place; **DO NOT** try to defeat the interlock mechanism; make sure that the cutting blades are properly assembled before operating the appliance.
- 28 DO NOT** use outdoors.
- 29 DO NOT** use appliance for other than intended use.
- 30** If the appliance overheats, a thermal switch will become activated and shut off the motor. To reset, unplug the appliance and let it cool down for approximately 10 minutes before using again.
- 31** The use of accessory attachments, including canning jars not recommended by SharkNinja may cause fire, electrical shock or risk of personal injury.
- NOTE:** This unit has a short power supply cord to reduce the risk resulting from becoming entangled in or tripping over a long cord. An extension cord may be used if you are careful in its use.
- 1** If using an extension cord, the electrical rating of the extension cord should be rated at least 15 amperes. Extension cords rated for less amperage may overheat.
- 2** An extension cord must be arranged so that it will not drape over the countertop or tabletop where it can be pulled on by children or tripped over accidentally.

SAVE THESE INSTRUCTIONS

This appliance complies with the WEEE-Directive 2012/19/EU on the disposal of electrical and electronic equipment (WEEE).



This marking indicates that this product should not be disposed with other household wastes throughout the EU. To prevent possible harm to the environment or human health from uncontrolled waste disposal, recycle it responsibly to promote the sustainable reuse of material sources. To return your used device, please use the return and collection systems or contact the retailer where this product was purchased. They can take this product for environmental safe recycling.

This appliance complies with the European directives for electromagnetic compatibility (EMC) 2014/30/EU and its revisions, as well as Low Voltage Directive (LVD) 2014/35/EU and its revisions.

THIS MANUAL COVERS MODEL:

QB1001UKBK

TECHNICAL SPECIFICATIONS

Voltage: 220-240V~, 50/60Hz.

Power: 500 Watts

Blender Jug Capacity: 1.5 L

Chopping Bowl Capacity: 500 ml



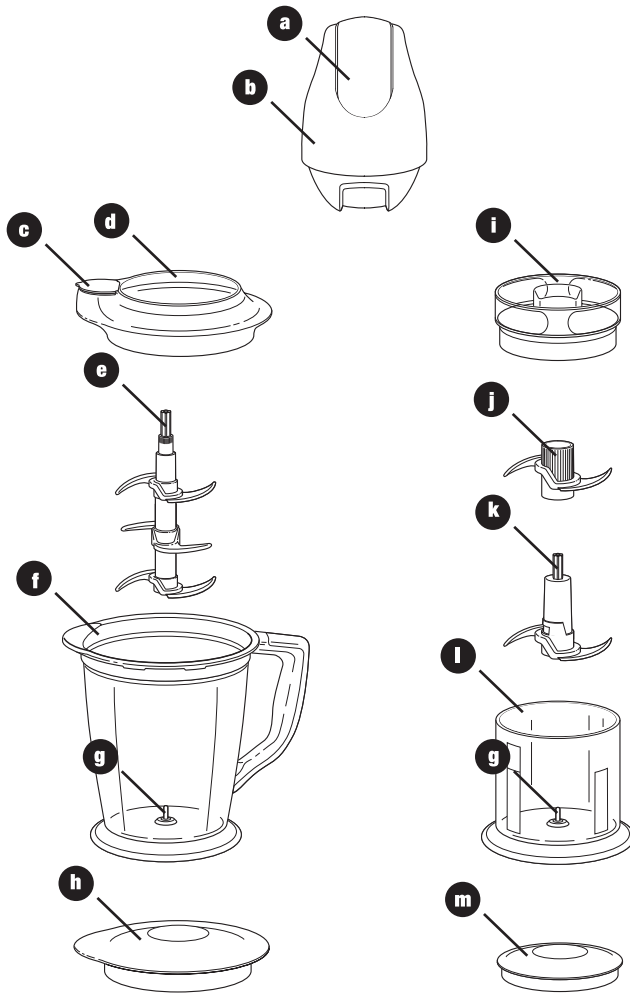
Contents

**Thank you for
purchasing
the Ninja®
Master Prep®
Professional.**

Getting Started	5
Before First Use	6
Using the Master Prep® Professional Blender Jug	7
Using the Master Prep® Professional Chopping Bowl	9
Cleaning and Maintenance	11
Troubleshooting Guide	11



Getting Started



- a** Pulse Button
- b** Power Head
- c** Pouring Spout
- d** Blender Jug Splash Guard
- e** Ninja® 6-Blade Assembly
- f** 1.5 L Blender Jug with Non-Slip Base
- g** Spindle Pin

- h** Blender Jug Storage Lid
- i** Chopping Bowl Splash Guard
- j** Upper Chopping Blade Assembly
- k** Lower Chopping Blade Assembly
- l** Chopping Bowl with Non-Slip Base
- m** Chopping Bowl Storage Lid
- n** Power Cord (not shown)



Before First Use

PLEASE KEEP THESE IMPORTANT SAFEGUARDS IN MIND WHEN USING THE APPLIANCE:

IMPORTANT: Make sure that the power head is plugged in for use.

IMPORTANT: Never add ingredients into the container before placing the attachment in first.

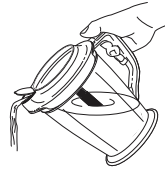
IMPORTANT: Blade assemblies are not interchangeable.

IMPORTANT: DO NOT attempt to operate the appliance without the lid on.

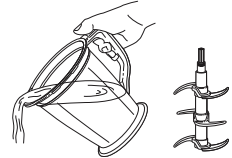
IMPORTANT: Never run the appliance empty.

IMPORTANT: Appliance accessories are not intended to be used in the microwave as it may result in damage to the accessories.

▲ The Ninja® 6-Blade Assembly is sharp and not locked in place. When pouring, carefully remove the Blade Assembly first, holding it by the shaft. Failure to do so will result in a risk of laceration.



▲ WARNING: The Ninja 6-Blade Assembly is sharp and not locked in place. Make sure to carefully remove the splashguard or storage lid and Blade Assembly, holding it by the shaft. Replace the splashguard before emptying contents of the blender jug. Failure to do so will result in a risk of laceration.



The Ninja® Master Prep® Professional is an indispensable kitchen tool that is perfect for blending, chopping, mixing or pureeing when preparing your favorite recipes. For best results, be sure to carefully read all the instructions contained in the manual before using this appliance.

▲ CAUTION: Do not immerse the power head into water or any other liquid.

1 Remove all packaging materials and labels from the appliance. Separate/remove all parts from each other.

2 Wash the lids, blender jug, chopping bowl and blade assemblies in warm, soapy water. When washing the blade assemblies, use a dish-washing utensil with a handle to avoid direct hand contact with blades.

▲ WARNING: Handle the 6-Blade Assembly and Chopping Bowl Upper and Lower Blades with care when washing, as the blades are sharp.

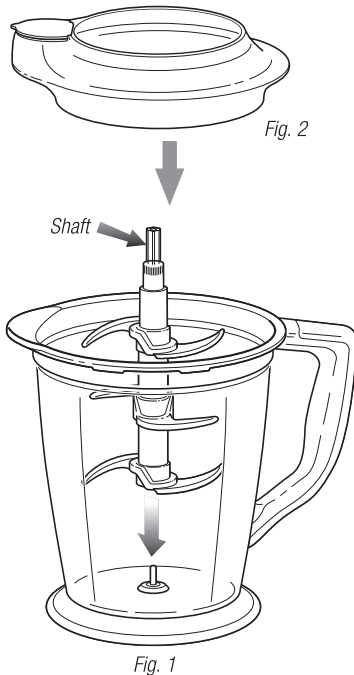
3 Handle blade assemblies with care to avoid contact with sharp edges. Rinse and air dry thoroughly.

4 The containers, lids and blade assemblies are all dishwasher safe. It is recommended that the lids and blade assemblies be placed on the top rack. Ensure the blade assembly is removed from the container before placing in the dishwasher.

5 Wipe the power head clean with a damp cloth.

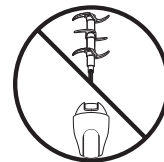
Using the Master Prep® Professional Blender Jug

- ▲ **WARNING:** Handle the Ninja® 6-Blade Assembly carefully, as the blades are sharp and not locked in place.
 - ▲ **WARNING:** Remove utensils prior to processing. Failure to remove may cause the blender jug to be damaged or to shatter, which may cause personal injury.
 - ▲ **WARNING:** DO NOT try to place the Blade Assemblies onto the power head and then into the blender jug.
 - ▲ **WARNING:** DO NOT try to operate the appliance without the safety splashguard in place.
 - ▲ **WARNING:** Never leave the appliance unattended while in use.
 - ▲ **CAUTION:** Do not blend hot liquids, doing so may cause excessive pressure buildup, resulting in risk of the user being burned.
- IMPORTANT:** Make sure that the power head is plugged in for use.



IMPORTANT: Never run the appliance empty.

- 1 Review warning and caution statements above before proceeding.
- 2 Place the Master Prep® Professional Blender Jug on a clean, dry, level surface.
- 3 Holding the blade by the shaft, place it onto the spindle pin inside the Master Prep® Professional Blender Jug. (Fig. 1)



- ▲ **WARNING:** DO NOT try to place the Blade Assembly onto the power head and then into the Master Prep® Professional Blender Jug.

- 4 Add the ingredients to be processed into the Master Prep® Professional Blender Jug.

IMPORTANT: Never add ingredients into the Master Prep® Professional Blender Jug before placing the Blade Assembly in first.

- 5 Place the Blender Jug splash guard onto the top of the Master Prep® Professional Blender Jug. (Fig. 2)

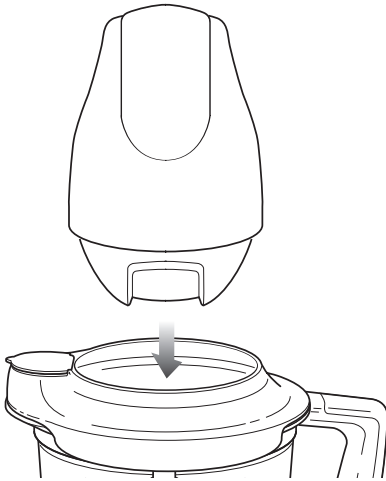


Fig. 3

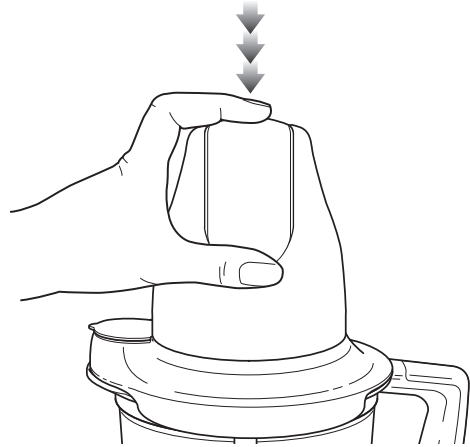


Fig. 4

- 6 Review warning and caution statements on top of page 7 before proceeding.
- 7 Place the power head on top of the blender jug splash guard making sure that it is securely in place. **(Fig. 3)** **DO NOT** attempt to operate the appliance without the safety splash guard in place.
- 8 To start the appliance, plug the power cord into the electrical outlet, securely hold power head while operating and press on the pulse button located on the top of the power head. **(Fig. 4)**
- 9 Hold the Master Prep® Professional Blender Jug firmly while depressing the pulse button to ensure the unit stays in place.
NOTE: DO NOT operate the appliance continuously for more than 15 seconds at a time.
- 10 To stop the appliance, remove your fingers from the pulse button.

- 11 Make sure that the blade assembly has stopped completely before removing the power head.
- 12 If the ingredients stick to the side of the Master Prep® Professional Blender Jug, stop the appliance, remove the power head and the splash guard. Use a spatula to dislodge the pieces and then replace the splash guard and the power head. Continue processing.
- 13 Depending on the consistency of the contents, use the pouring spout to empty liquid contents.
- 14 For thicker consistencies, first remove the splash guard and blade assembly (by its shaft), then empty contents of the Master Prep® Professional Blender Jug.

Using the Master Prep® Professional Chopping Bowl

- ▲ **WARNING:** The Chopping Blade Assembly is sharp and not locked in place. When emptying contents, carefully remove the Blade Assembly first, holding it by the shaft. Failure to do so will result in a risk of laceration.
 - ▲ **WARNING:** Remove utensils prior to processing. Failure to remove may cause the chopping bowl to be damaged or to shatter, which may cause personal injury
 - ▲ **WARNING:** DO NOT try to place the Chopping Blade Assembly onto the power head and then into the chopping bowl
 - ▲ **WARNING:** DO NOT try to operate the appliance without the safety splashguard in place.
 - ▲ **WARNING:** DO NOT crush ice in the Master Prep Chopping Bowl or damage may occur to the unit.
 - ▲ **WARNING:** Never leave the appliance unattended while in use.
 - ▲ **WARNING:** Do not blend hot liquids, doing so may cause excessive pressure buildup, resulting in risk of the user being burned.
 - ▲ **WARNING:** Blade assembly is loose and not locked in place. Make sure to remove the Chopping Blade Assembly before emptying the contents of the chopping bowl.
- IMPORTANT:** Make sure that the power head is plugged in for use.

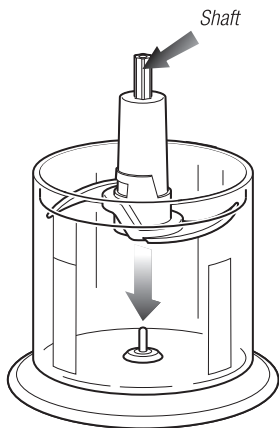


Fig. 5

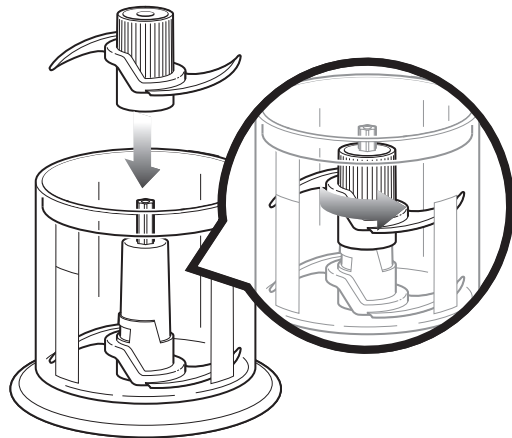


Fig. 6

IMPORTANT: Never run the appliance empty.

- 1 Review warning and caution statements above before proceeding.
- 2 Place the Master Prep® Professional Chopping Bowl on a clean, dry, level surface.
- 3 Holding the Lower Chopping Blade Assembly by the shaft, place it over the spindle pin inside the Master Prep® Professional Chopping Bowl. (Fig. 5)
- 4 Carefully insert the Upper Chopping Blade Assembly over the Lower Chopping Blade Assembly rotating it until it locks onto the Lower Chopping Blade Assembly. (Fig. 6)

IMPORTANT: Always assemble the Chopping Blade Assembly inside the container.



- ▲ **WARNING:** DO NOT try to place the Chopping Blade Assembly onto the power head and then into the Master Prep® Professional Chopping Bowl.

- 5 Place the food that you want to process into the Master Prep® Professional Chopping Bowl.

IMPORTANT: Never add ingredients into the Master Prep® Professional Chopping Bowl before placing the blade assembly in first.

NOTE: DO NOT add more than 450 ml dry or 230 ml liquid ingredients as this will strain the motor and may cause overflow.

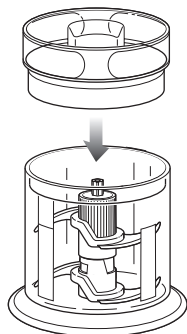


Fig. 7

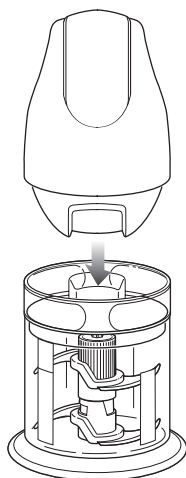


Fig. 8

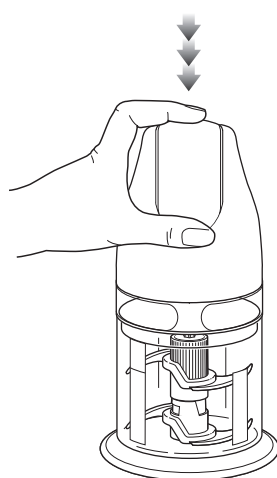


Fig. 9

- 6 Review warning and caution statements on top of page 9 before proceeding.
- 7 Place the splash guard on the Chopping Bowl. (Fig. 7)
- 8 Place the power head on top of the splash guard making sure that it is securely in place. (Fig. 8) **DO NOT** attempt to operate the appliance without the safety splash guard in place.
- 9 To start the appliance, plug the power cord into the electrical outlet, securely hold power head while operating and press on the on/off pulse button located on the top of the power head. (Fig. 9)
- 10 Hold the Master Prep® Professional Chopping Bowl firmly while depressing the pulse button to ensure the unit stays in place.
NOTE: DO NOT operate the appliance continuously for more than 15 seconds at a time. Be careful not to over process. For coarsely chopped foods, use repeated short pulsing action until the desired consistency is reached.
- 11 To stop the appliance, remove your fingers from the pulse button.
- 12 In order to obtain a better quality of chopping, operate the appliance by using the “pulse” method.

- 13 Make sure that the Chopping Blade Assembly has stopped completely before removing the power head.
- 14 If the ingredients stick to the side of the Master Prep® Professional Chopping Bowl, stop the appliance, remove the power head and the splash guard. Use a spatula to dislodge the pieces and then replace the splash guard and the power head. Continue processing.
- 15 Remove the blade assembly by its shaft before you empty the contents of the Master Prep® Professional Chopping Bowl.

HINTS & TIPS FOR USING YOUR NINJA® MASTER PREP® PROFESSIONAL

- The Chopping Blade Assembly can be used for chopping meat, fish, vegetables, cheese etc.
- For mincing, chopping and pureeing, increase the length of pulses.
- For coarse chopping, use short, quick pulses and monitor food texture.
- Pre-cut larger pieces to make them fit into the Master Prep® Professional. When chopping hard foods (e.g. meat, cheese) cut into 1-inch cubes.

Cleaning and Maintenance

HOW TO CLEAN

⚠ CAUTION: Make sure that the power head is unplugged from the power source before inserting or removing any attachment and before cleaning.

⚠ CAUTION: DO NOT immerse the power head into water or any other liquid.

- 1 Separate/remove all parts from each other.
- 2 **Hand Washing:** Wash the containers, lids, and blade assemblies in warm, soapy water. When washing the blade assemblies, use a dish-washing utensil with a handle to avoid direct hand contact with blades. Handle blade assemblies with care to avoid contact with sharp edges. Rinse and air dry thoroughly.

Dishwasher: Containers, lids, blade assemblies and attachments are all dishwasher safe. The lids and blade assemblies are top rack dishwasher safe. Ensure that the blade assemblies are removed from the containers before placing in the dishwasher.

⚠ WARNING: Handle the Blade Assemblies with care when washing, as the blades are sharp. Contact with the blades' edges can result in laceration.

Dishwasher: Containers, lids, blade assemblies and attachments are all dishwasher safe. The lids and blade assemblies are top rack dishwasher safe. Ensure that the blade assemblies are removed from the containers before placing in the dishwasher.

- 3 Wipe the power head clean with a damp cloth.

Please call customer service if any servicing needs to be performed on the appliance at 0800 862 0453.

HOW TO STORE

- 1 Store the Ninja® Master Prep® Professional upright with the blade assembly inside the container with the lid secured on top. Do not place anything on top. Store the rest of the attachments in a safe place where they will not be damaged and won't cause harm. Loosely wrap the power cord around the power head.

Troubleshooting Guide

PROBLEMS	POSSIBLE REASONS & SOLUTIONS
Motor Doesn't Start or Blade Assembly doesn't Rotate.	<p>Check that the bottom of motor head is clean and there is no food blocking connection when placing on containers.</p> <p>There is too much food in the container.</p> <p>The unit has overheated. Unplug and wait approximately 10 minutes before using again.</p> <p>Make sure that the splash guard is securely on container.</p> <p>Make sure that the power head is securely placed on the splash guard.</p> <p>Check that the plug is securely inserted into the electrical outlet.</p> <p>Check the fuse or breaker. Replace the fuse/reset breaker.</p>
Food is Unevenly Chopped.	<p>Either you are chopping too much food at one time, or the pieces are not small enough. Try cutting the food into smaller pieces of even size and processing smaller amounts per batch.</p>
Food is Chopped Too Fine or is Too Watery.	<p>The food has been over processed. Use brief pulses or process for shorter time. Let the Blade Assembly stop completely between pulses.</p>
Food Collects on the Splash Guard/ Safety Cover or on the Sides of the Master Prep® Professional Blender Jug or Master Prep® Professional Chopping Bowl.	<p>You may be processing too much food. Turn the machine off. When the Blade Assembly stops rotating, remove the power head and the splash guard. Remove some of the food being processed.</p>
You Cannot Achieve Snow From Solid Ice.	<p>Do not use ice that has been sitting out or has started to melt. Be sure to use short pulses in the beginning to break up large pieces.</p>





Notes





Euro-Pro Europe Limited
Century Way
Thorpe Park
Leeds
LS15 8ZB
United Kingdom
Freephone 0800 862 0453

www.ninjakitchen.eu

Copyright © 2017 Euro-Pro Europe Limited

Master Prep and **Ninja** are registered trademarks of Euro-Pro Europe Limited.

Technical Details
Model number: QB1001UKBK
Input: 500 Watts

Printed in China

Illustrations may differ from actual product. We are constantly striving to improve our products, therefore the specifications contained herein are subject to change without notice.

QB1001UKBK_IB_250220_New artwork

