

NINJA®

QB800UK Series

OWNER'S GUIDE

Master Prep® Advantage



www.ninjakitchen.eu

0800 862 0453

IMPORTANT SAFETY INSTRUCTIONS

For Household Use Only

WHEN USING ELECTRICAL APPLIANCES, BASIC SAFETY PRECAUTIONS SHOULD ALWAYS BE FOLLOWED, INCLUDING THE FOLLOWING:

READ ALL INSTRUCTIONS BEFORE USING YOUR NINJA® MASTER PREP® ADVANTAGE.

⚠ WARNING: Extension cords are not recommended for use with this product.

⚠ WARNING: The blades are not affixed to the unit. They are removable and very sharp. Handle with care!

⚠ CAUTION: In order to avoid a hazard due to inadvertent resetting of the thermal cut-out, this appliance must not be supplied through an external switching device, such as a timer, or connected to a circuit that is regularly switched on and off by the utility.

IMPORTANT: This appliance is not intended for use by persons with reduced physical, sensory or mental capabilities, or lack of experience and knowledge, unless they have been given supervision or instruction concerning use of the appliance by a person responsible for their safety.

Children shall not use or play with this appliance. Close supervision is necessary to keep appliance and cord out of reach of children during use.

⚠ WARNING: TO REDUCE THE RISK OF FIRE, ELECTRIC SHOCK OR INJURY:

- ⚠ WARNING:** Remove utensils prior to processing. Failure to remove may cause the jar to be damaged or to shatter which may cause personal injury.
- ⚠ WARNING:** The Ninja® 4-Blade Assembly is sharp, not locked in place and removable, handle with care. When handling the Ninja 4-Blade Assembly, always hold by the shaft. Failure to do so will result in a risk of laceration.
- ⚠ WARNING:** The Ninja 4-Blade Assembly is sharp and not locked in place. Make sure to carefully remove the splashguard or storage lid and Blade Assembly, holding it by the shaft. Replace the splashguard before emptying contents of the pitcher. Failure to do so will result in a risk of laceration.
- ⚠ CAUTION:** Do not blend hot liquids, doing so may cause excessive pressure build-up, resulting in risk of the user being burned.
- To protect against electric shock, **DO NOT** immerse cord, plug or any part of the main unit in water or any other liquids.
- DO NOT** let cord hang over edge of table or counter, or touch hot surfaces.
- DO NOT** allow the appliance to be used by children. Close attention is necessary when used near children. This is not a toy.
- DO NOT** use with damaged cord or plug.
- DO NOT USE** if the appliance is not working, has been dropped, dropped into water, damaged or left outdoors.

- 10 NO SERVICEABLE PARTS.** Incorrect reassembly or repair can cause a risk of electrical shock or injury to persons when the appliance is used. Contact Customer Service or Service Center for the repair or replacement under the warranty agreement.
- 11** If the supply cord is damaged, it must be replaced by the manufacturer, its service agent or similarly qualified persons in order to avoid hazard.
- 12** Unplug appliance from outlet when not in use and before cleaning.
- 13** Turn the appliance off and remove the power cord from the electrical outlet when not in use, before assembling or disassembling parts, accessing parts that move while in use and before cleaning. To unplug, grasp the plug and pull from the electrical outlet. Never pull from the power cord.
- 14 DO NOT** place on or near a hot gas or electric burner.
- 15 DO NOT** operate the appliance for more than 15 seconds.
- 16 DO NOT** operate the appliance empty.
- 17** Use this appliance on a stable work surface away from water.
- 18 DO NOT** remove the motor head before the blade assembly has stopped turning.
- 19 DO NOT** attempt to sharpen blades.
- 20 DO NOT** expose the pitcher to extreme temperature changes.
- 21 DO NOT** use the pitcher if it is cracked or chipped.
- 22 DO NOT** use the appliance if blades are bent or damaged.
- 23** Avoid contact with moving parts at all times. Keep hands, hair, clothing as well as spatulas and other utensils away from pitcher during operation to prevent risk of personal injury and/or damage to the appliance.
- 24** Immediately release the On/Off pulse button on the motor head in the event that the appliance malfunctions during use.
- 25** To reduce the risk of injury, **NEVER** operate the appliance without the splash guard in place; **DO NOT** try to defeat the interlock mechanism; make sure that the cutting blades are properly assembled before operating the appliance.
- 26 DO NOT** use outdoors.
- 27 DO NOT** use appliance for other than intended use.
- 28** If the appliance overheats, a thermal switch will become activated and shut off the motor. To reset, unplug the appliance and let it cool down for approximately 10 minutes before using again.
- 29** The use of accessory attachments, including canning jars not recommended by Euro-Pro Europe Limited may cause fire, electrical shock or risk of personal injury.
- NOTE:** This unit has a short power supply cord to reduce the risk resulting from becoming entangled in or tripping over a long cord. An extension cord may be used if you are careful in its use.
- 1** If using an extension cord, the electrical rating of the extension cord should be rated at least 15 amperes. Extension cords rated for less amperage may overheat.
- 2** An extension cord must be arranged so that it will not drape over the countertop or tabletop where it can be pulled on by children or tripped over accidentally.

SAVE THESE INSTRUCTIONS

Contents

**Thank you for
purchasing
the Ninja®
Master Prep®
Advantage.**

Getting Started	4
Before First Use	5
Using the Master Prep® Advantage Pitcher	6
Cleaning and Maintenance	8
Troubleshooting Guide.....	8

This appliance complies with the WEEE-Directive 2012/19/EU on the disposal of electrical and electronic equipment (WEEE).



This marking indicates that this product should not be disposed with other household wastes throughout the EU. To prevent possible harm to the environment or human health from uncontrolled waste disposal, recycle it responsibly to promote the sustainable reuse of material sources. To return your used device, please use the return and collection systems or contact the retailer where this product was purchased. They can take this product for environmental safe recycling.

This appliance complies with the European directives for electromagnetic compatibility (EMC) 2014/30/EU and its revisions, as well as Low Voltage Directive (LVD) 2014/35/EU and its revisions.

Guarantee: This product is unconditionally guaranteed for one year against all defects of workmanship and materials. This guarantee does not affect your statutory rights. If this product proves unsatisfactory please contact our customer service department on freephone 0800 862 0453 or by e-mail ukservice@euro-pro.com.

THIS MANUAL COVERS MODELS:

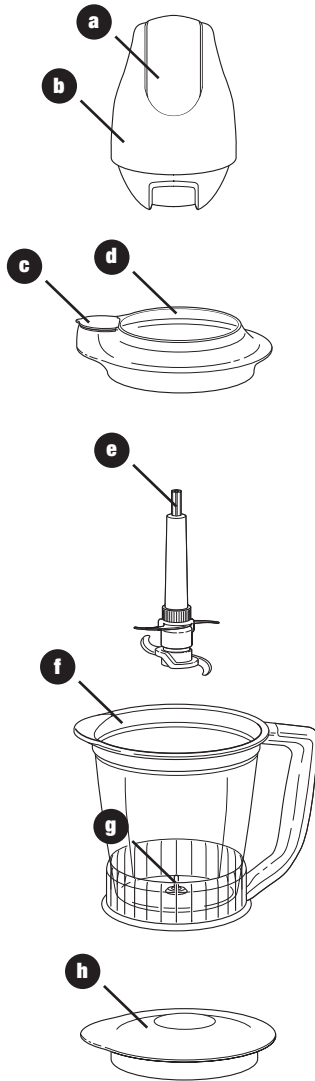
QB800UKCR
QB800UKRD
QB800UKBK

TECHNICAL SPECIFICATIONS

Voltage: 220-240V~, 50/60Hz
Power: 500 Watts
Pitcher Capacity: 1.25 L



Getting Started



- a** On/Off Pulse Button
- b** Power Head
- c** Pouring Spout
- d** Splash Guard
- e** Ninja® 4-Blade Assembly

- f** 1.25 L Pitcher with Non-Slip Base
- g** Spindle Pin
- h** Pitcher Storage Lid
- i** Power Cord (not shown)

Before First Use

PLEASE KEEP THESE IMPORTANT SAFEGUARDS IN MIND WHEN USING THE APPLIANCE:

IMPORTANT: Make sure that the power head is plugged in for use.

IMPORTANT: Never add ingredients into the container before placing the blade assembly in first.

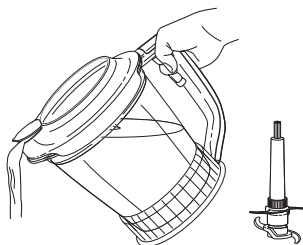
IMPORTANT: Attachments are not interchangeable.

IMPORTANT: DO NOT attempt to operate the appliance without the lid on.

IMPORTANT: Never run the appliance empty.

IMPORTANT: Appliance accessories are not intended to be used in the microwave as it may result in damage to the accessories.

▲ WARNING: The Ninja® 4-Blade Assembly is sharp and not locked in place. Make sure to carefully remove the splashguard or storage lid and Blade Assembly, holding it by the shaft. Replace the splashguard before emptying contents of the pitcher. Failure to do so will result in a risk of laceration.



▲ CAUTION: Do not immerse the power head into water or any other liquid.

- 1 Remove all packaging materials and labels from the appliance. Separate/remove all parts from each other.
- 2 Wash the lids, pitcher, and blade assembly in warm, soapy water. When washing the blade assembly, use a dish-washing utensil with a handle to avoid direct hand contact with blades.

▲ WARNING: Handle the Ninja 4-Blade Assembly with care when washing, as the blades are sharp.

- 3 Handle blade assembly with care to avoid contact with sharp edges. Rinse and air dry thoroughly.
- 4 The pitcher, lids and blade assembly are all dishwasher safe. It is recommended that the lids and blade assembly be placed on the top rack. Ensure the blade assembly is removed from the pitcher before placing in the dishwasher.
- 5 Wipe the power head clean with a damp cloth.

Using the Master Prep® Advantage Pitcher

- ▲ **WARNING:** Handle the Ninja® 4-Blade Assembly with care, as the blades are sharp.
 - ▲ **WARNING:** Remove utensils prior to processing. Failure to remove may cause the pitcher to be damaged or to shatter, which may cause personal injury.
 - ▲ **WARNING:** Never leave the appliance unattended while in use.
 - ▲ **CAUTION:** Do not blend hot liquids, doing so may cause excessive pressure buildup, resulting in risk of the user being burned.
- IMPORTANT:** Make sure that the power head is plugged in for use.

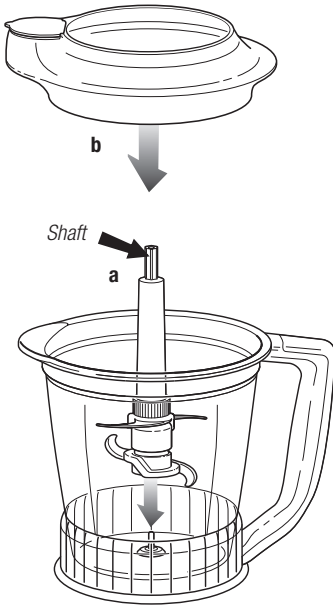


Fig. 1

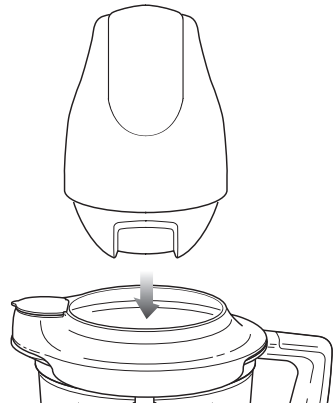


Fig. 2

- 1 Review warning and caution statements above before proceeding.

IMPORTANT: Never run the appliance empty.

- 2 Place the Master Prep® Advantage Pitcher on a clean, dry, level surface.
- 3 Holding the blade assembly by the shaft, place it onto the spindle pin inside the pitcher. (Fig. 1, a)

- ▲ **WARNING:** DO NOT try to place the blade onto the power head and then into the pitcher.



- 4 Add the ingredients to be processed into the pitcher.

IMPORTANT: Never add ingredients into the pitcher before placing the blades in first.

- 5 Place the pitcher splash guard onto the top of the pitcher. (Fig. 1, b)
 - 6 Place the power head on top of the pitcher splash guard making sure that it is securely in place. (Fig. 2)
- ▲ **WARNING:** DO NOT attempt to operate the appliance without the safety splash guard in place.

NOTE: DO NOT add more than 1.25 L dry or 1.25 L liquid ingredients as this will strain the motor and may cause overflow.

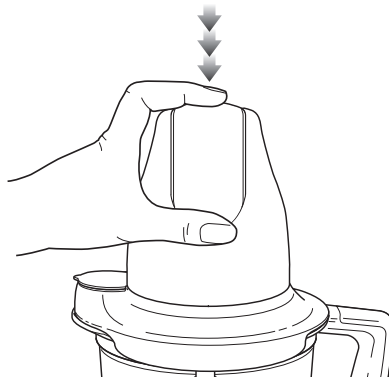


Fig. 3

- 7 Review warning and caution statements on top of page 6 before proceeding.
- 8 To start the appliance, plug the power cord into the electrical outlet, securely hold power head while operating and press on the On/Off pulse button located on the top of the power head. **(Fig. 3)**
- 9 Hold the pitcher firmly while pressing the On/Off pulse button to ensure the unit stays in place.
NOTE: DO NOT operate the appliance continuously for more than 15 seconds at a time.
- 10 To stop the appliance, remove your fingers from the On/Off pulse button.
- 11 In order to obtain a better quality of chopping, operate the appliance by using the “pulse” method.
- 12 Make sure that the blades have stopped completely before removing the power head.
- 13 If the ingredients stick to the side of the pitcher, stop the appliance, remove the power head and the splash guard. Use a spatula to dislodge the pieces and then replace the splash guard and the power head. Continue processing.

- 14 Depending on the consistency of the contents, use the pouring spout to empty liquid contents.
- 15 For thicker consistencies, first remove splash guard and Ninja® 4-Blade Assembly (by its shaft), then empty contents of the pitcher.

HINTS & TIPS FOR USING YOUR NINJA® MASTER PREP® ADVANTAGE

- The Ninja® 4-Blade Assembly can be used for chopping meat, fish, vegetables, cheese etc.
- For mincing, chopping and pureeing, increase the length of pulses.
- For coarse chopping, use short, quick pulses and monitor food texture.
- Pre-cut larger pieces to make them fit into the Master Prep® Advantage. When chopping hard foods (e.g. meat, cheese) cut into 1-inch cubes.
- To crush ice into snow, start by using short pulses to break up large chunks. Continue until snow is achieved.

Cleaning and Maintenance

HOW TO CLEAN

⚠ CAUTION: Make sure that the power head is unplugged from the power source before inserting or removing any attachment and before cleaning.

⚠ CAUTION: DO NOT immerse the power head into water or any other liquid.

- 1 Separate/remove all parts from each other.
- 2 Hand Washing: Wash the containers, lids, and blade assembly in warm, soapy water. When washing the blade assembly, use a dish-washing utensil with a handle to avoid direct hand contact with blades. Handle blade assembly with care to avoid contact with sharp edges. Rinse and air dry thoroughly.

⚠ WARNING: Handle the Ninja® 4-Blade Assembly, with care when washing, as the blades are sharp. Contact with the blades' edges can result in laceration.

3 Dishwasher: Pitcher, lids and blade assembly are all dishwasher safe. The lids and blade assembly are top rack dishwasher safe. Ensure that the blade assembly is removed from the pitcher before placing in the dishwasher.

4 Wipe the power head clean with a damp cloth.

Please call customer service if any servicing needs to be performed on the appliance at 0800 862 0453.

HOW TO STORE

1 Store the Ninja® Master Prep® Advantage upright with the blade assembly inside the container with the lid secured on top. Do not place anything on top. Store the rest of the attachments in a safe place where they will not be damaged and won't cause harm. Loosely wrap the power cord around the power head.

Troubleshooting Guide

PROBLEMS	POSSIBLE REASONS & SOLUTIONS
Motor Doesn't Start or Blade Assembly doesn't Rotate.	<p>Check that the bottom of motor head is clean and there is no food blocking connection when placing on containers.</p> <p>There is too much food in the container.</p> <p>The unit has overheated. Unplug and wait approximately 10 minutes before using again.</p> <p>Make sure the splash guard is securely on container.</p> <p>Make sure the power head is securely placed on splash guard.</p> <p>Check that the plug is securely inserted into the electrical outlet.</p> <p>Check fuse or breaker. Replace fuse/reset breaker.</p>
Food is Unevenly Chopped.	<p>Either you are chopping too much food at one time, or the pieces are not small enough. Try cutting the food into smaller pieces of even size and processing smaller amounts per batch.</p>
Food is Chopped Too Fine or is Too Watery.	<p>The food has been over processed. Use brief pulses or process for shorter time. Let Blade Assembly stop completely between pulses.</p>
Food Collects On Splash Guard/Safety Cover or On the Sides of the pitcher.	<p>You may be processing too much food. Turn the machine off. When the Blade Assembly stops rotating, remove the power head and the splash guard. Remove some of the food being processed.</p>
You Cannot Achieve Snow From Solid Ice.	<p>Do not use ice that has been sitting out or has started to melt. Be sure to use short pulses in the beginning to break up large pieces.</p>



Euro-Pro Europe Limited
Century Way
Thorpe Park
Leeds
LS15 8ZB
United Kingdom

Freephone 0800 862 0453
www.ninjakitchen.eu

Copyright © 2016 Euro-Pro Europe Limited

Euro-Pro, Master Prep and Ninja are trademarks of Euro-Pro Europe Limited.

Printed in China

Illustrations may differ from actual product. We are constantly striving to improve our products, therefore the specifications contained herein are subject to change without notice.

QB800UK_Series_30_IB_250220_New artwork

