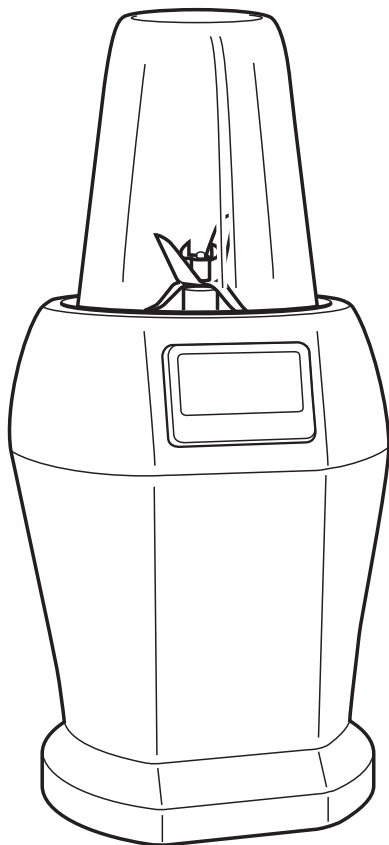


NUTRI NINJA®

Lite

BL457UK

OWNER'S GUIDE



www.ninjakitchen.eu

0800 862 0453

IMPORTANT SAFETY INSTRUCTIONS

For Household Use Only

WHEN USING ELECTRICAL APPLIANCES, BASIC SAFETY PRECAUTIONS SHOULD ALWAYS BE FOLLOWED, INCLUDING THE FOLLOWING:

READ ALL INSTRUCTIONS BEFORE USING YOUR NUTRI NINJA® LITE BLENDER.

- ⚠ **WARNING:** Extension cords are not recommended for use with this product.
- ⚠ **WARNING:** The blades are not affixed to the unit. They are removable and very sharp. Handle with care!
- ⚠ **CAUTION:** In order to avoid a hazard due to inadvertent resetting of the thermal cut-out, this appliance must not be supplied through an external switching device, such as a timer, or connected to a circuit that is regularly switched on and off by the utility.

IMPORTANT: This appliance is not intended for use by persons with reduced physical, sensory or mental capabilities, or lack of experience and knowledge, unless they have been given supervision or instruction concerning use of the appliance by a person responsible for their safety.

Children shall not use or play with this appliance. Close supervision is necessary to keep appliance and cord out of reach of children during use.

⚠ WARNING:
TO REDUCE THE RISK OF FIRE, ELECTRIC SHOCK OR INJURY:

1. **⚠ CAUTION:** The blades are not affixed to the unit. They are removable and extremely sharp. When handling the Pro Extractor Blades™, do not hold the blades but rather always hold by the base of the Pro Extractor Blades. Blades are sharp. Handle carefully!
2. **⚠ CAUTION: DO NOT BLEND HOT LIQUIDS.** Allow liquids and foods to cool to room temperature before blending.
3. **⚠ CAUTION: Do not blend dry ingredients unless pulsing for short intervals per the instructions. Continuous blending dry ingredients will overheat the blender.**
4. To protect against electrical shock, do not submerge the appliance or allow the power cord to come into contact with water or any other liquid.
5. **DO NOT** allow young children to operate the appliance or use as a toy. Close supervision is necessary when any appliance is used near children.
6. Never leave an appliance unattended when in use.
7. Turn the appliance off and remove the power cord from the electrical outlet when not in use, before assembling or disassembling parts, accessing parts that move while in use and before cleaning. To unplug, grasp the plug and pull from the electrical outlet. Never pull from the power cord.
8. **DO NOT** abuse the power cord. Never carry the appliance by the power cord or yank it to disconnect from electrical outlet; instead, grasp the plug and pull to disconnect.



9. **DO NOT** use with damaged cord or plug.
10. Appliance accessories are not intended to be used in the microwave as it may result in damage to the accessories.
11. **DO NOT USE** if the appliance is not working, has been dropped, dropped into water, damaged or left outdoors.
12. **NO SERVICEABLE PARTS.** Incorrect re-assembly or repair can cause a risk of electrical shock or injury to persons when the appliance is used. Contact Customer Service.
13. **DO NOT** let the power cord hang over the edge of table or counter or touch hot surfaces such as the stove.
14. Always use the appliance on a dry, level surface.
15. Keep hands, hair, clothing, as well as utensils out of container while processing or blending to reduce the risk of severe injury to persons or damage to the appliance. A scraper may be used but only when the appliance is not running.
16. Avoid contact with moving parts.
17. **DO NOT** attempt to sharpen blades.
18. **DO NOT** use the appliance if Pro Extractor Blades™ are bent or damaged.
19. To reduce the risk of injury, never attempt to place the Pro Extractor Blades onto the motor base without first assembling the Pro Extractor Blades to the Nutri Ninja Cup.
20. **DO NOT** operate this appliance on or near any hot surfaces (such as gas or electric burner or in a heated oven).
21. The use of attachments or accessories including canning jars, not recommended by the manufacturer may result in fire, electric shock or personal injury.
22. **DO NOT** remove any container from the motor base while the appliance is in operation. Always unplug the unit when not in use.
23. To reduce the risk of injury, **NEVER** operate the appliance without the Pro Extractor Blades in place; **DO NOT** try to defeat the interlock mechanism; make sure that the attachment is properly installed before operating the appliance.
24. **DO NOT** expose containers to extreme temperature changes.
25. **DO NOT** overfill. Do not exceed Max fill line.
26. **DO NOT** operate the appliance empty.
27. If the appliance overheats, a thermal switch will become activated and shut off the motor. To reset, unplug the appliance and let it cool down for approximately 30 minutes before using again.
28. To reduce the risk of burns, always allow the appliance to cool before taking off parts and before cleaning.
29. Max ON time is 1 minute under 700W load. If the appliance overheats, a thermal switch will become activated and shut off the motor. To reset, unplug the appliance and let it cool down for approximately 30 minutes before using again.
30. **THIS PRODUCT IS INTENDED FOR HOUSEHOLD USE ONLY.** Do not use this appliance for anything other than its intended use. Do not use outdoors.

SAVE THESE INSTRUCTIONS

Contents

Thank you for purchasing the **Nutri Ninja® Lite**

Getting to Know Your Nutri Ninja Lite	4
Before First Use	6
Use	7
Suggested Uses	8
Care & Maintenance	9
Troubleshooting Guide	10
Replacement Parts	10

This appliance complies with the WEEE-Directive 2012/19/EU on the disposal of electrical and electronic equipment (WEEE).



This marking indicates that this product should not be disposed with other household wastes throughout the EU. To prevent possible harm to the environment or human health from uncontrolled waste disposal, recycle it responsibly to promote the sustainable reuse of material sources. To return your used device, please use the return and collection systems or contact the retailer where this product was purchased. They can take this product for environmental safe recycling.

This appliance complies with the European directives for electromagnetic compatibility (EMC) 2004/108/EC and its revisions, as well as Low Voltage Directive (LVD) 2006/95/EC and its revisions.

Guarantee: This product is unconditionally guaranteed for one year against all defects of workmanship and materials. This guarantee does not affect your statutory rights. If this product proves unsatisfactory please contact our customer service department on freephone 0800 862 0453 or by e-mail ukservice@euro-pro.com.

THIS BOOK COVERS MODEL NUMBER:

BL457UK 30

TECHNICAL SPECIFICATIONS

Voltage: 220-240V~, 50/60Hz

Power: 700 Watts

Cup Capacity:

500 ml

300 ml



Getting To Know Your Nutri Ninja® Lite



a



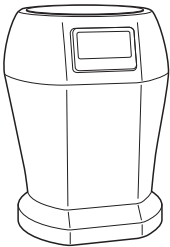
b



c



d



e

- a** Pro Extractor Blades™
- b** Sip & Seal® Lid (x2)
- c** 300 ml Nutri Ninja Cup

- d** 500 ml Nutri Ninja Cup
- e** Motor Base
- f** Power Cord (not shown)

The Nutri Ninja® Lite is an innovative tool with a compact design and outstanding performance. It is perfect for ice crushing, chopping, blending, and nutrient and vitamin extraction*. Blend and go with the convenient Sip & Seal® lids, create delicious drinks to get you out the door quickly! Best results are achieved when you Pulse.



FEATURES:

- Nutrient & Vitamin Extraction*
- 700 Watt Motor
- Personalised, healthy drinks and juices on the go
- Sip & Seal lids for drinks on the go
- BPA-free Cups
- Cord storage

* Extract a drink containing vitamins and nutrients from fruits and vegetables.

Before First Use

PLEASE KEEP THESE IMPORTANT SAFEGUARDS IN MIND WHEN USING THE APPLIANCE:

- ⚠ WARNING:** Never leave the appliance unattended while in use.
- ⚠ CAUTION: DO NOT BLEND HOT LIQUIDS.** Allow liquids and foods to cool to room temperature before blending.
- ⚠ CAUTION:** Blades are sharp! Use extreme caution when handling the Pro Extractor Blades™. Always hold by the base of the Pro Extractor Blades.
- ⚠ CAUTION:** Never attempt to remove the cup while the appliance is still running.
- ⚠ CAUTION:** We do not recommend grinding in any of our Nutri Ninja® Cups.

IMPORTANT: Never run the appliance empty.

IMPORTANT: Appliance accessories are not intended to be used in the microwave as it may result in damage to the accessories.

⚠ CAUTION: Blades are sharp! Use extreme caution when handling the Pro Extractor Blades. Always hold by the base of the Pro Extractor Blades.

- 1 Remove all packaging material and labels from the appliance.
- 2 Wash the lids, cups, and Pro Extractor Blades in warm, soapy water with a soft cloth.
- ⚠ CAUTION:** Handle the Pro Extractor Blades with care when washing as the blades are very sharp.
- 3 Rinse and dry thoroughly.
- 4 Cups, lids and, Pro Extractor Blades are all dishwasher safe. It is recommended that the lids and Pro Extractor Blades be placed on the top rack. Ensure that the attachments are removed from the cups before placing in the dishwasher.
- 5 Wipe the motor base clean with a damp cloth.

Use

- ⚠ **WARNING:** Never leave the appliance unattended while in use.
 - ⚠ **CAUTION:** Use caution when handling the Pro Extractor Blades™ as the blades are very sharp.
 - ⚠ **CAUTION:** We do not recommend grinding in any of our Nutri Ninja® Cups.
- IMPORTANT:** Make sure that the motor base is plugged in for use.

ASSEMBLY

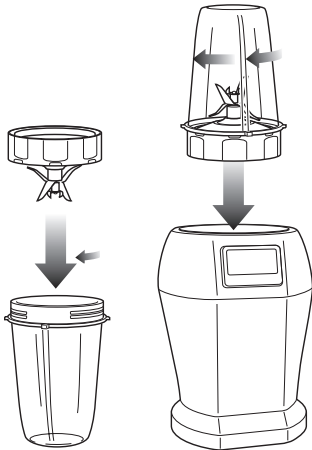


Fig. 1

Fig. 2

PULSE

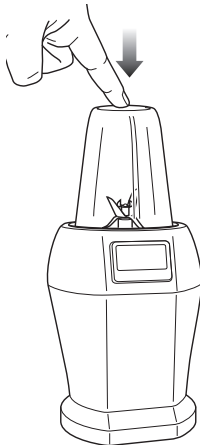


Fig. 3

REMOVAL

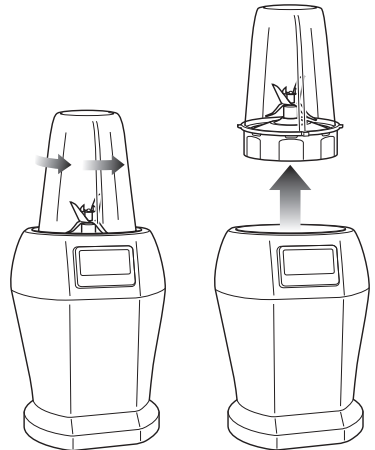


Fig. 4

Fig. 5



For best results, use short "PULSES"!

- 1 Place the motor base on a clean, dry, level surface such as a counter or table top.
- 2 Add ingredients to the cup.
- 3 Place the blade onto the cup and twist it on tightly until you have a good seal. **(Fig. 1)**
- 4 Turn the cup upside down and place it onto the motor base, aligning the tabs on the cup with the motor base. Turn it clockwise, the unit is ready for use. **(Fig. 2)**
- 5 Press down on the top of the cup in short intervals to activate. **(Fig. 3)**
- 6 When you have reached your desired consistency, stop the appliance by removing your hand from the cup. Wait for the motor to stop running. Then turn the cup anticlockwise **(Fig. 4)** and pull straight up to remove. **(Fig. 5)**

NOTE: Do not overfill! To avoid spilling, do not add ingredients past the Max fill line.

IMPORTANT: When processing soft dry ingredients such as day-old bread or cheese use quick, short 1 second pulses. Do not overfill to avoid overheating the appliance. Allow the appliance to cool after each use.

- 7 Turn the cup upright and remove the Pro Extractor Blades by twisting the blade assembly anticlockwise. Be sure to store the Pro Extractor Blades attached to an empty cup when not in use.
- 8 Place the Sip & Seal lid onto the cup, twist to seal and enjoy!
- 9 Make sure that the motor base is unplugged when not in use.

Suggested Uses

PURPOSE / FUNCTION	SUGGESTED CUP	TYPE OF FOOD
Chopping / Pulsing	500 ml 300 ml	Salsa Leafy Herbs
Mixing	500 ml 300 ml	Batters Dips
Sauces	500 ml 300 ml	Vinaigrettes Salad Dressings Simple Sauces
Frozen Blending	500 ml 300 ml	Ice Frozen Fruit Ice Cream
Nutrient Juices/Smoothies	500 ml 300 ml	Fruits Vegetables Leafy Greens
Soft Blending	500 ml 300 ml	Cheese Soft Breadcrumbs

⚠ CAUTION: Do not blend dry ingredients unless pulsing for short intervals per the instructions. Continuous blending dry ingredients will overheat the blender.

Care & Maintenance

HOW TO CLEAN

⚠ CAUTION: Make sure that the motor base is unplugged from the power source before inserting or removing any attachment and before cleaning.

⚠ CAUTION: DO NOT immerse the motor base into water or any other liquid.

⚠ CAUTION: Use caution when handling the Pro Extractor Blades™ as the blades are very sharp.

- 1 Separate/remove all parts from each other.
- 2 Clean the motor base with a damp cloth and wipe dry.
- 3 Place cups in the dishwasher. Place the lids and Pro Extractor Blades on the top rack.

OR

- 4 Carefully hand wash the lids, cups, and Pro Extractor Blades in warm, soapy water with a soft cloth.

If the appliance needs servicing, please call customer service at 0800 862 0453.

HOW TO STORE

- 1 Store the Nutri Ninja® Lite upright. Secure the power cord underneath the base by wrapping the cord around the cord wrap. Do not place anything on top. Store the cups and the rest of the attachments along side the appliance where they will not be damaged and won't cause a hazard.

RESETTING THE MOTOR THERMOSTAT

The Nutri Ninja Lite features a safety system which prevents damage to the unit's motor and drive system should you inadvertently overload your appliance. If the appliance is being overloaded, the motor will stop. To reset the appliance, follow the resetting procedure below:

- 1 Unplug the appliance from the electrical outlet.
- 2 Remove and empty the cup and ensure that no food is jamming the cutting blades.
- 3 Allow the appliance to cool for approximately 30 minutes.
- 4 Re-install the cup onto the base and re-plug the appliance into the electrical outlet.
- 5 Proceed to use the appliance as before while making sure not to exceed the recommended maximum capacities.

Troubleshooting Guide

PROBLEMS	POSSIBLE REASONS & SOLUTIONS
Motor doesn't start or attachment doesn't rotate.	<ul style="list-style-type: none">For the cups, make sure that the tabs are seated in the slots and turned clockwise.
Food is unevenly chopped.	<ul style="list-style-type: none">Either you are chopping too much food at once, or you are not pulsing properly. Reduce the amount of food in the cup.
Food is too finely chopped or too watery.	<ul style="list-style-type: none">The food has been over processed. Use short pulses for best results. Press down on the cup in short intervals.
You cannot achieve snow from ice cubes.	<ul style="list-style-type: none">For best results use ice straight from the freezer. Try using short pulses instead of one long one.Make sure the cup is completely dry before adding ice.
Cup is leaking.	<ul style="list-style-type: none">Make sure that your lid or blade assembly is properly assembled to the cup. Leaking may occur if it is misaligned when twisted onto the cup. Turn the lid tightly clockwise.
Unit doesn't turn on.	<ul style="list-style-type: none">Make sure the unit is plugged in.Rotate and press down on the cup to turn the unit on.Make sure the Pro Extractor Blades™ are properly assembled to the cup and that it is not misaligned.
Unit doesn't turn off.	<ul style="list-style-type: none">Unplug the power cord from the electrical outlet and call customer service for support.
Doesn't mix well.	<ul style="list-style-type: none">Pulse ingredients for best results. Press down on the cup in short intervals for even blending and chopping. For frozen ingredients, pulse in short intervals of 2-5 seconds and repeat.
Lid/blade assembly will not properly align to the cup.	<ul style="list-style-type: none">Set the cup on a level surface. Place the lid or Pro Extractor Blades on top of the cup and align the threads so that the lid/blades sit flat on the cup. Twist clockwise so that the lid/blades evenly align to the cup until you have a tight seal.

Replacement Parts

ORDERING REPLACEMENT PARTS

To order additional parts and attachments, please visit our website: www.ninjakitchen.eu or feel free to contact customer service: 0800 862 0453.

Euro-Pro Europe Limited
15 Mariner Court
Calder Park
Wakefield
WF4 3FL

Freephone 0800 862 0453

www.ninjakitchen.eu

Copyright © 2015 Euro-Pro Operating LLC

Euro-Pro, Ninja, Nutri-Ninja, and Sip & Seal are registered trademarks of Euro-Pro Operating LLC.

Pro Extractor Blades is a trademark of Euro-Pro Operating LLC.

Printed in China

Illustrations may differ from actual product. We are constantly striving to improve our products, therefore the specifications contained herein are subject to change without notice.

BL457UK_30_IB_150723

